



**COMBINED  
PROTECTION AGAINST  
BURGLARY AND FIRE**



# OMNI

## BURGLARY & FIRE-RESISTANT SAFE

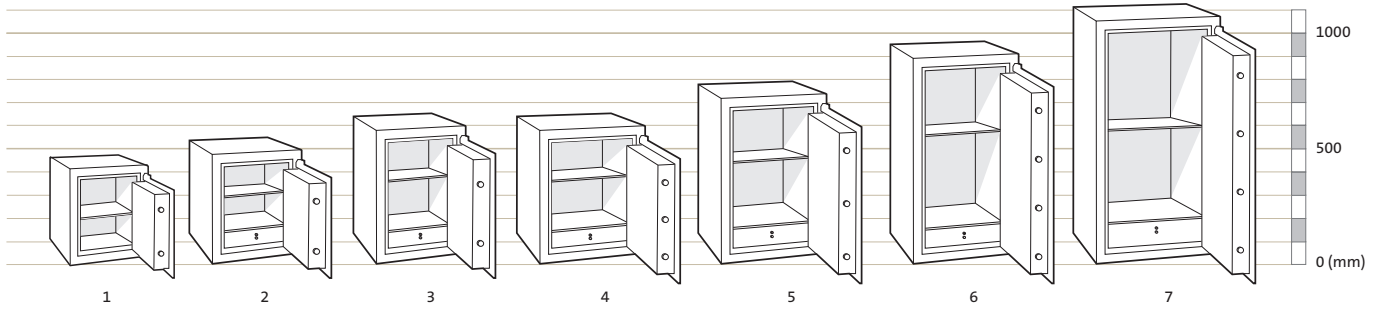


### KEY FEATURES

- Combined fire and burglary protection in office environments
- \$25,000 cash rating
- Certified to JIS S 1037:1989 offers up to 45 minutes paper fire protection
- Tested to the highest quality in its class against attack. Approved by Sold Secure to Gold Standard for burglary protection. Sold Secure is an independent testing authority approved by the British Home Office
- Secured by an electronic lock as standard
- 10mm solid steel door
- Supplied with glass relocker
- Available in seven sizes
- Complete with a standard internal steel shelf adjustable in intervals
- Solid bolt on hinged side of the door

# OMNI

## PRODUCT SPECIFICATIONS



Model	External Height (mm)	External Width (mm)	External Depth (mm)	Internal Height (mm)	Internal Width (mm)	Internal Depth (mm)	Volume (litres)	Weight (kg)	Standard Internal Fittings
Sz 1	410	360	360	278	230	230	15	120	1 Drawer
Sz 2	488	435	435	356	280	240	33	180	1 Shelf, 1 Drawer
Sz 3	590	435	445	458	305	305	43	210	1 Shelf, 1 Drawer
Sz 4	590	550	550	458	420	420	81	300	1 Shelf, 1 Drawer
Sz 5	717	550	550	585	420	420	103	340	1 Shelf, 1 Drawer
Sz 6	894	550	550	762	420	420	134	400	1 Shelf, 1 Drawer
Sz 7	1047	640	640	915	510	510	236	540	1 Shelf, 1 Drawer

\* Handle projection is 56mm.

## LOCK OPTIONS



### ELECTRONIC LOCK

The electronic lock can be programmed by the user with a six-digit personal code which is memorised by the lock and used each time the safe is opened. Simply rotating the keypad secures the safe door when closing it. The battery used to power the electronic lock is located in the keypad itself and can be easily changed should the existing battery run down whilst the safe is closed.

## CERTIFICATION

### JIS S 1037:1989

The whole range has been certified JIS S 1037:1989 which offers up to 45 minutes paper fire protection.

### GOLD STANDARD FOR BURGLARY PROTECTION

All safe sizes have been approved by Sold Secure to Gold Standard for burglary protection. Sold Secure is an independent testing authority approved by the British Home Office.

## DOOR

The door is constructed from 10mm solid steel. The whole assembly is powder-coated for long-lasting protection. The safe is supplied with a glass relocker with solid bolt on hinged side of the door.

Toll Free Phone: 1800 450 777

[www.chubbsafes.com.au](http://www.chubbsafes.com.au)