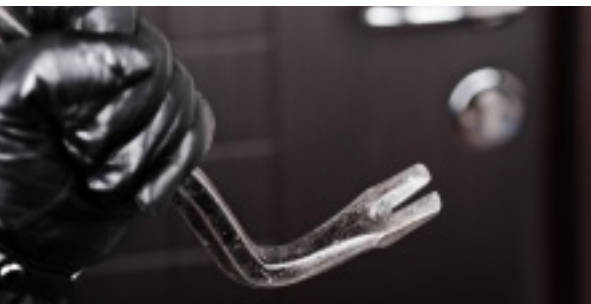




BURGLARY RESISTANT
COMPACT SAFE FOR
YOUR HOME, OFFICE &
SMALL RETAILER



E-SLOT SAFE

BURGLARY RESISTANT SAFE

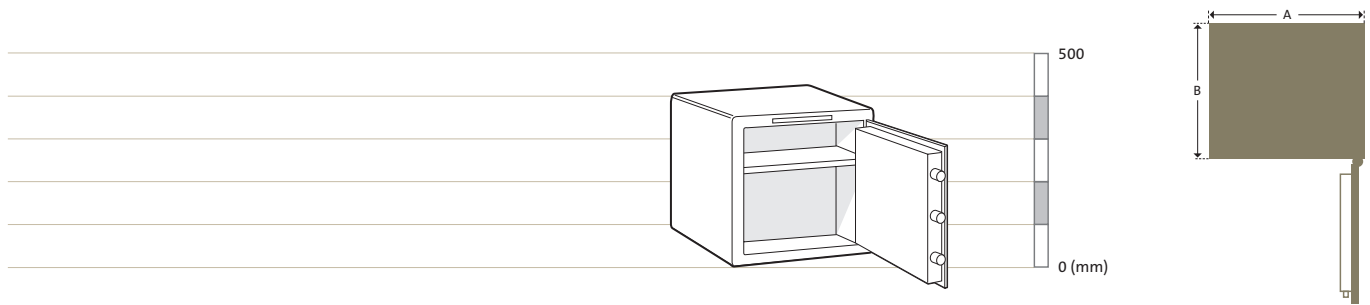


KEY FEATURES

- Burglary resistant protection small deposit safe designed to provide safe secure storage for cash
- Up to \$5000 cash rating
- Body and door are made from 12mm solid steel
- Allows anyone to drop items into the slot
- Access only by digital electronic lock
- Backup battery pack provided
- Fixed shelf included

E-SLOT SAFE

PRODUCT SPECIFICATIONS



Model	External Height (mm)	External Width (mm)	External Depth (mm)	Internal Height (mm)	Internal Width (mm)	Internal Depth (mm)	Volume (litres)	Weight (kg)	Standard Internal Fittings
SES	355	355	355	330	330	290	32	75	-

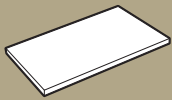
* Dimensions exclude handle and hinge projections

CONSTRUCTION

DOOR & BODY

The door and body is constructed from 12mm solid steel. The whole assembly is powder-coated for long-lasting protection.

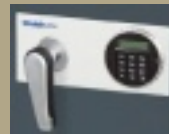
INTERIOR FITTINGS



SHELF

Fixed shelf included providing organised storage.

LOCKS



ELECTRONIC LOCK

E-Slot electronic lock safes are fitted with a programmable lock incorporating patented technology which can accept a code between 4 and 8 digits. Once programmed, should three consecutive attempts to enter an incorrect code be made, the lock will go into sleep mode for 20 seconds. Three further consecutive incorrect attempts will result in a five-minute time out. Backup battery pack provided and over-ride key.

Toll Free Phone: 1800 450 777

www.chubbsafes.com.au

The data given in this material may be subject to change without further notice. This document is not contractually binding. The 'Chubb' brand is owned by Chubb plc and is a registered trademark used under license. See www.chubbsafes.com for more information.